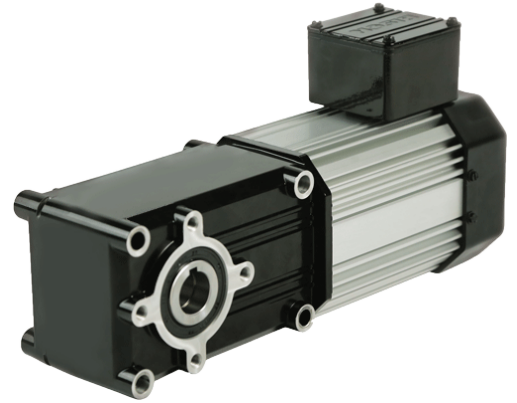


Maximum Efficiency Right-angle Gearmotors 730 115V Single Phase (3-stage)

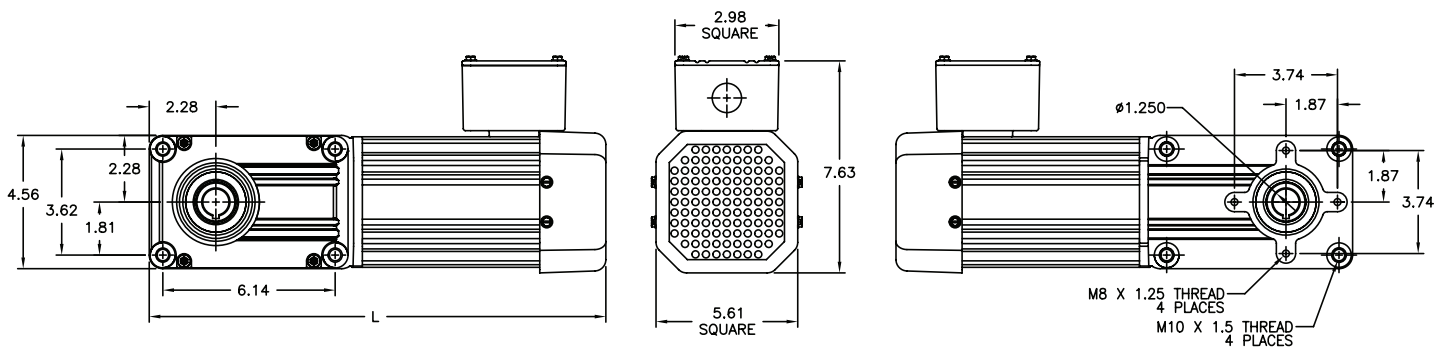
The heavy duty PowerSTAR® 730 Series 3-stage 115V single phase right-angle gearmotor offers up to 1730 in-lbs of torque running continuously for reliable and energy efficient operation.



730 Series 1PH 115V Ratios 80:1 to 240:1 - TEFC*

Part Number	Speed (RPM)	Torque (in-lbs)	Input HP	Gear Ratio	OHL (lbs)	Rated Current 115V (Amps)	Hz
026-730A0080	21	766	1/3	80	820	4.84	60
026-730A0100	17	725	1/4	100	910	3.35	60
026-730A0120	14	871	1/4	120	965	3.35	60
026-730A0150	11	1090	1/4	150	1010	3.35	60
026-730A0180	9.3	1310	1/4	180	1050	3.35	60
026-730A0240	7	1730	1/4	240	1120	3.35	60

*Capacitors required - offered separately. See accessories on page 17



L
L = Gearmotor length:
1/4 HP: 14.34
1/3 HP: 16.09

